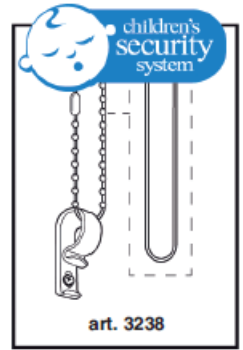


TREND

Sistema a rullo decorativo in alluminio trazione a catenella, applicazione Soffitto / Parete

Aluminium decorative system for roller blinds with chain, ceiling/wall fixing
 Système décoratif en aluminium pour stores enrouleur avec chaînette, fixation à plafond/parois
 Dekoratives System aus Aluminium für Rollo mit Kettenantrieb, Deckenverlegung/Wandverlegung
 Sistema decorativo en aluminio por cortinas enrollables con cadena, soportes techo/pared



Arrotolamento
 Rolling up/Enroulement
 Einrollen/Enrollamiento

Standard **Optional**

Tubo Avvolgitore
 Winding tube/Rouleau
 Welle/Tubo

art. 8525

Peso Tenda
 Curtain weight / Lasteur
 Gegengewicht / Contrapeso

art. 2755 piattina art. 5099 flat

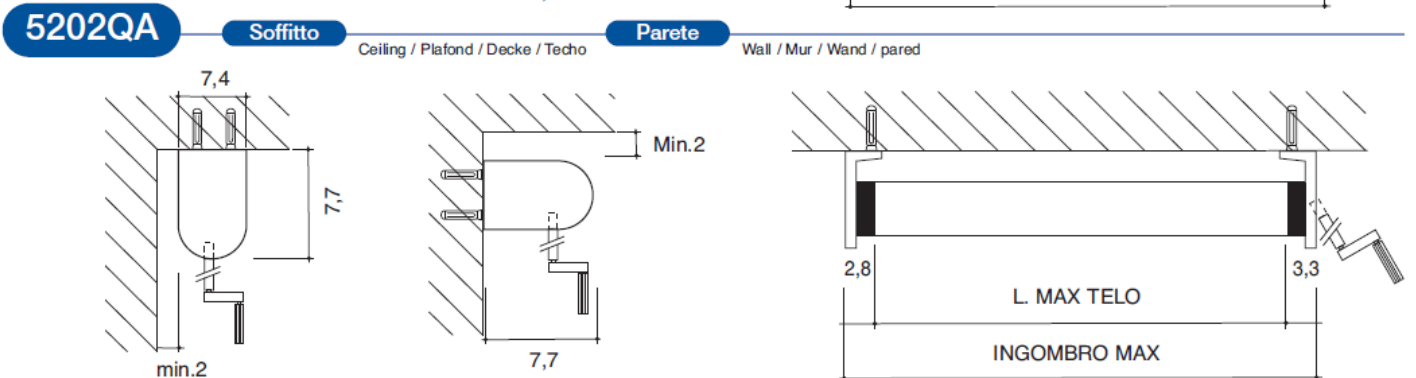
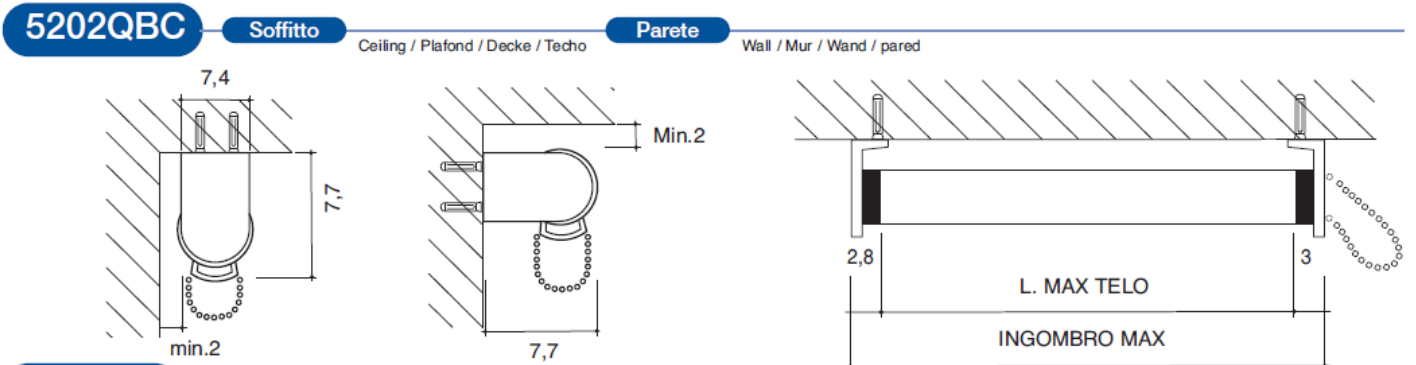
Standard **Optional**

Art.5099

Peso tenda FLAT
 FLAT curtain weight
 Lasteur FLAT
 FLAT Gegengewicht
 Contrapeso FLAT

Schemi di ingombro e montaggio (misure espresse in cm)

Patterns of size and mounting / Les modèles de taille et de montage /
 Muster der Größe und Montage / Esquemas de tamaño y de montaje



TREND

Schemi di ingombro e montaggio (misure espresse in cm)

Patterns of size and mounting / Les modèles de taille et de montage / Muster der Größe und Montage / Esquemas de tamaño y de montaje

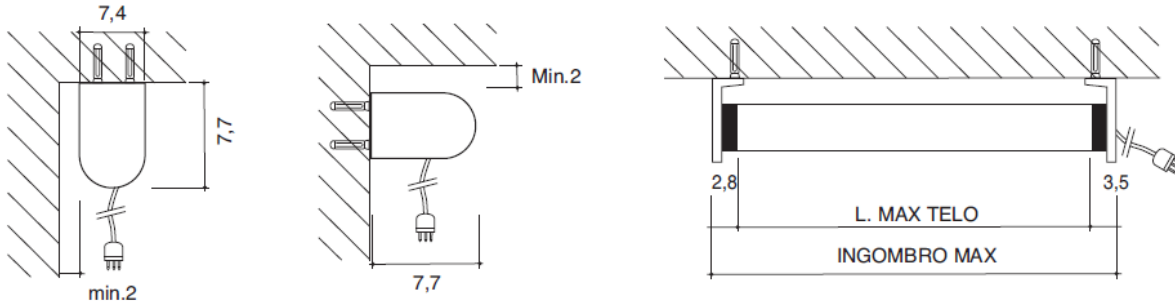
5202QE

Soffitto

Ceiling / Plafond / Decke / Techo











Parete

Wall / Mur / Wand / pared



L max telo / Max fabric's width / L max de la toile / Max Stoffbreite / Ancho max del tejido - Ingombro max / Max overall width / Larg. Hors tout / Max Ausmaße / Max ancho total

STANDARD / OPTIONAL 5211QE

	MOTORI TRADIZIONALI 230 Vac / 230Vca traditional motors					
	TIPOLOGIA TYPE	CARATTERISTICHE FEATURES	INTERRUTTORE A PARETE WALL SWITCH	CASA INTELLIGENTE con automatismi SOMFY preventivi a progetto Smart Home with SOMFY devices - project-based quotations		
	Meccanico / Mechanic Art. M-6	6Nm - 28rpm STANDARD	Art. M-9776-TT			
	Meccanico / Mechanic Art. M-SONESSE 3	3Nm - 30rpm	Art. M-9776-TT			
	MOTORI RADIO 230 Vac / 230Vca radio motors					
TIPOLOGIA TYPE	CARATTERISTICHE FEATURES	COMANDO A PARETE WALL TRANSMITTER	TELECOMANDO 1 TENDA 1 CHANNEL TRANSMITTER	TELECOMANDO 4 TENDE 4 CHANNELS TRANSMITTER	TELECOMANDO 15-16 TENDE 15-16 CHANNELS TRANSMITTER	
	Elett. Radio / Elect. Wi-Fi Art. M-R 6	6Nm - 28rpm	Art. M-TC1P-TT	Art. M-TC1-TT	Art. M-TC15-TT	
	Elett. Radio / Elect. Wi-Fi Art. M-SONESSE 3 RTS	3Nm - 30rpm	Art. M-SMOOVE	Art. M-TELIS1-TT	Art. M-TELIS4-TT	Art. M-TELIS16
	MOTORI RADIO a Batteria 12Vdc Portata max. Kg.3.5 / 24Vdc battery radio motors - max load 3.5Kg					
TIPOLOGIA TYPE	CARATTERISTICHE FEATURES	COMANDO A PARETE WALL TRANSMITTER	TELECOMANDO 1 TENDA 1 CHANNEL TRANSMITTER	TELECOMANDO 4 TENDE 4 CHANNELS TRANSMITTER	TELECOMANDO 16 TENDE 16 CHANNELS TRANSMITTER	
	Elett. Radio / Elect. Wi-Fi Art. M-ROLL UPWI	1.1Nm - 28rpm	Art. M-SMOOVE	Art. M-TELIS1-TT	Art. M-TELIS4-TT	Art. M-TELIS16