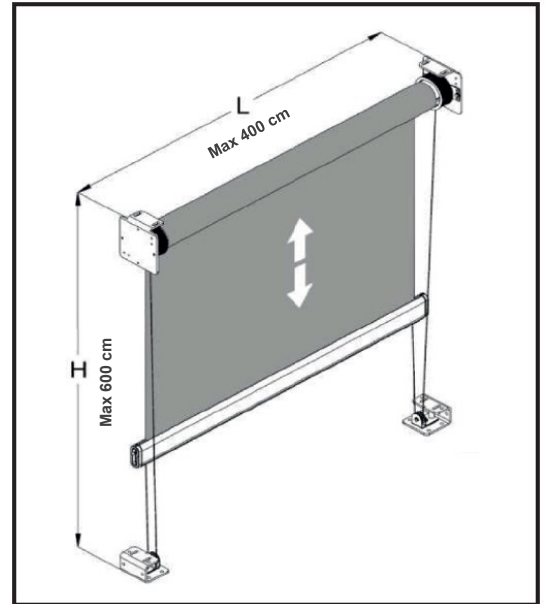


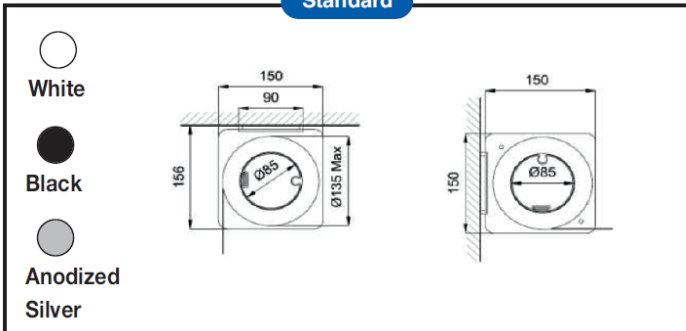
TENDE A RULLO

**Sistema tensionato per tende a rullo
azionamento a motore**

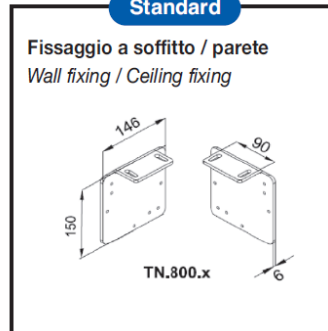
Tensioned system for motorized roller blinds
Système tensionné pour stores enrouleurs motorisés
Spannsystem für motorisierte Rollos
Sistema en tensión para estor enrollable accionado mediante motor



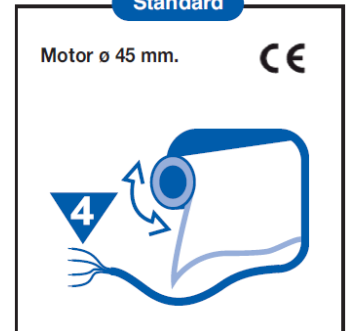
Standard



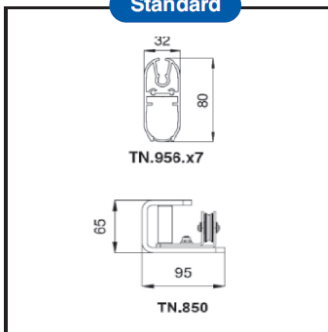
Standard



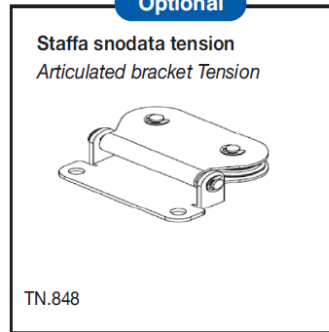
Standard



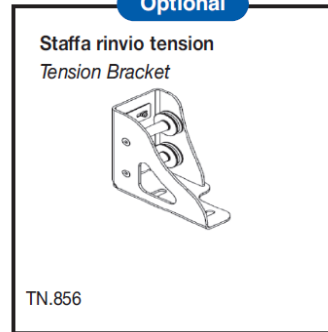
Standard



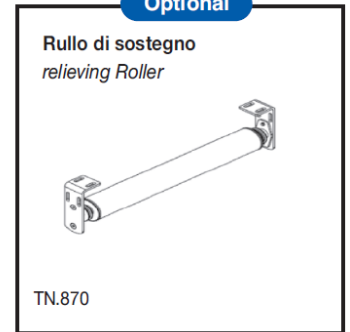
Optional



Optional






Optional



Standard / Optional



MOTORI TRADIZIONALI 230 Vac / 230Vca traditional motors



TIPOLOGIA TYPE	CARATTERISTICHE FEATURES	INTERRUTTORE A PARETE WALL SWITCH
 Meccanico / <i>Mechanic</i> MASA452245212	30Nm - 16rpm Standard / <i>Included</i>	Art. M-9776-TT
 Meccanico / <i>Mechanic</i> MSF451043038	25Nm - 17rpm	Art. M-9776-TT
 Elettronico / <i>Electronic</i> MASA452245396	30Nm - 16rpm	Art. M-9776-TT



CASA INTELLIGENTE con automatismi SOMFY preventivi a progetto
Smart Home with SOMFY devices - project-based quotations



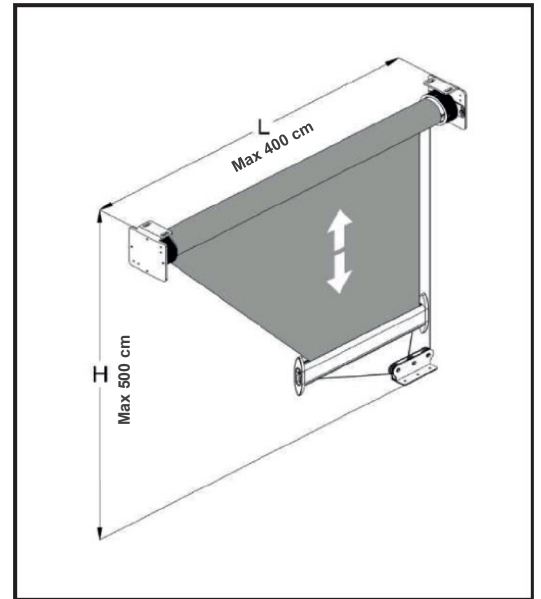
MOTORI RADIO 230 Vac / 230Vca radio motors

TIPOLOGIA TYPE	CARATTERISTICHE FEATURES	COMANDO A PARETE WALL TRANSMITTER	TELECOMANDO 1 TENDA 1 CHANNEL TRANSMITTER	TELECOMANDO 4 TENDE 4 CHANNELS TRANSMITTER	TELECOMANDO 16 TENDE 16 CHANNELS TRANSMITTER
 Elett.Radio / <i>Elect.Wi-Fi</i> MASA452243254	20Nm - 16rpm	MASA2211126	MASA2211118	MASA2211119	-
 Elett.Radio / <i>Elect.Wi-Fi</i> MSF451041479	20Nm - 17rpm	Art. M-SMOOVE	Art. M-TELIS1-TT	Art. M-TELIS4-TT	Art. M-TELIS16

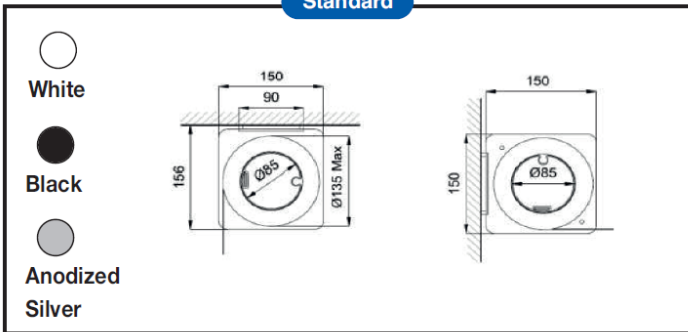
TENDE A RULLO

Sistema tensionato per tende a rullo triangolari azionamento a motore

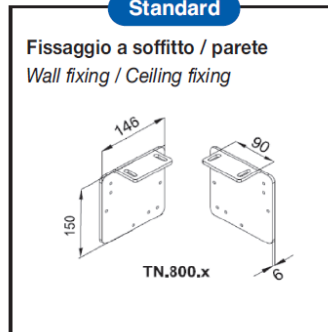
Tensioned system for triangular motorized roller blinds
 Système tensionné pour stores enrouleurs triangulaires motorisés
 Spannsystem für motorisierte dreieckige Rollos
 Sistema en tensión para estor enrollable triangular accionado mediante motor



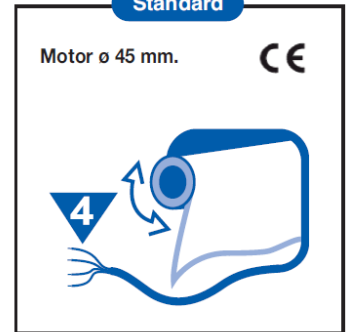
Standard



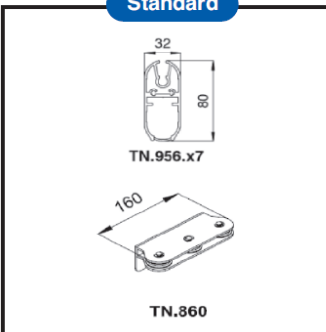
Standard



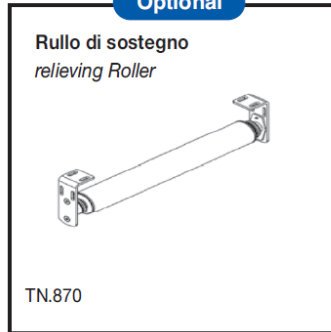
Standard






Standard



Optional





Standard / Optional

	MOTORI TRADIZIONALI 230 Vac / 230Vca traditional motors		
	TIPOLOGIA TYPE	CARATTERISTICHE FEATURES	INTERRUTTORE A PARETE WALL SWITCH
	Meccanico / <i>Mechanic</i> MASA452245212	30Nm - 16rpm Standard / <i>Included</i>	Art. M-9776-TT
	Meccanico / <i>Mechanic</i> MSF451043038	25Nm - 17rpm	Art. M-9776-TT
	Elettronico / <i>Electronic</i> MASA452245396	30Nm - 16rpm	Art. M-9776-TT



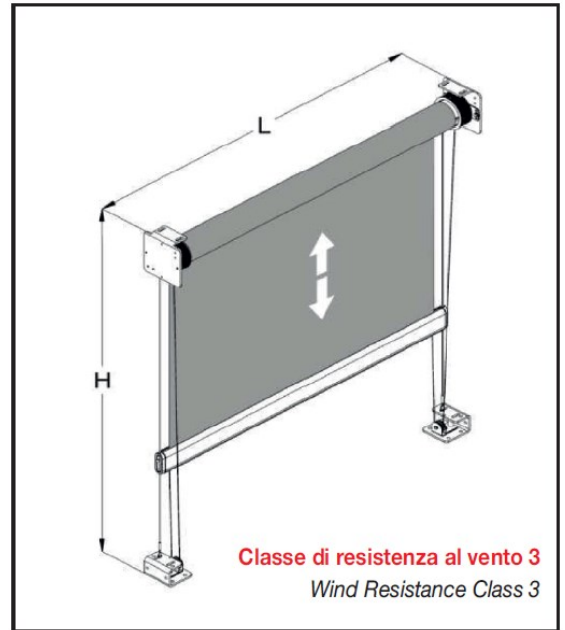
CASA INTELLIGENTE con automatismi SOMFY preventivi a progetto
 Smart Home with SOMFY devices - project-based quotations

	MOTORI RADIO 230 Vac / 230Vca radio motors					
	TIPOLOGIA TYPE	CARATTERISTICHE FEATURES	COMANDO A PARETE WALL TRANSMITTER	TELECOMANDO 1 TENDA 1 CHANNEL TRANSMITTER	TELECOMANDO 4 TENDE 4 CHANNELS TRANSMITTER	TELECOMANDO 16 TENDE 16 CHANNELS TRANSMITTER
	Elett.Radio / <i>Elect. Wi-Fi</i> MASA452243254	20Nm - 16rpm	MASA2211126	MASA2211118	MASA2211119	-
	Elett.Radio / <i>Elect. Wi-Fi</i> MSF451041479	20Nm - 17rpm	Art. M-SMOOVE	Art. M-TELIS1-TT	Art. M-TELIS4-TT	Art. M-TELIS16

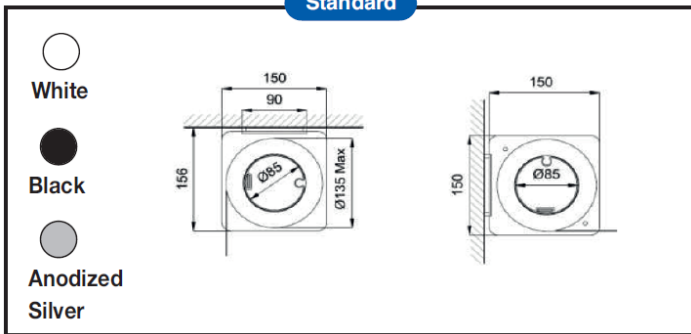
TENDE A RULLO

Sistema tensionato per tende a rullo con cavi inox azionamento a motore

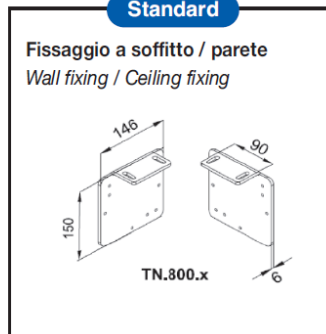
Tensioned system for motorized roller blinds with stainless steel side cables
 Système tensionné pour stores enrouleurs motorisés cables latéraux en acier inox
 Spannsystem für motorisierte Rollos mit Stahlkabel Führungen
 Sistema en tensión para estor enrollable accionado mediante motor con guías en acero inox



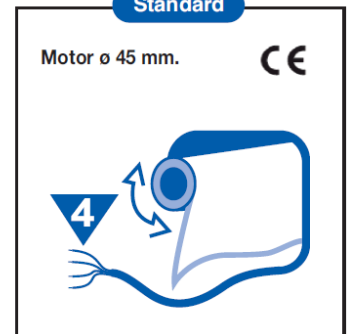
Standard



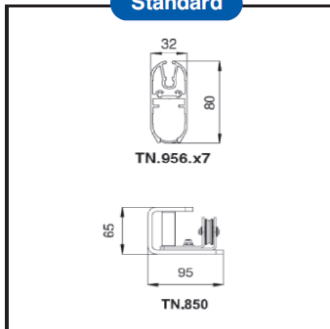
Standard



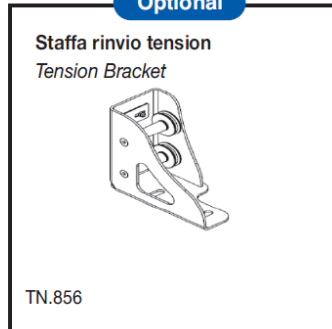
Standard



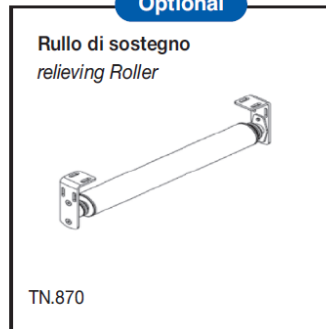
Standard






Optional



Optional





Standard / Optional

	MOTORI TRADIZIONALI 230 Vac / 230Vca traditional motors		
	TIPOLOGIA TYPE	CARATTERISTICHE FEATURES	INTERRUTTORE A PARETE WALL SWITCH
	Meccanico / <i>Mechanic</i> MASA452245212	30Nm - 16rpm Standard / <i>Included</i>	Art. M-9776-TT
	Meccanico / <i>Mechanic</i> MSF451043038	25Nm - 17rpm	Art. M-9776-TT
	Elettronico / <i>Electronic</i> MASA452245396	30Nm - 16rpm	Art. M-9776-TT



GO-APP

CASA INTELLIGENTE con automatismi SOMFY preventivi a progetto
 Smart Home with SOMFY devices - project-based quotations

	MOTORI RADIO 230 Vac / 230Vca radio motors					
	TIPOLOGIA TYPE	CARATTERISTICHE FEATURES	COMANDO A PARETE WALL TRANSMITTER	TELECOMANDO 1 TENDA 1 CHANNEL TRANSMITTER	TELECOMANDO 4 TENDE 4 CHANNELS TRANSMITTER	TELECOMANDO 16 TENDE 16 CHANNELS TRANSMITTER
	Elett.Radio / <i>Elect. Wi-Fi</i> MASA452243254	20Nm - 16rpm	MASA2211126	MASA2211118	MASA2211119	-
	Elett.Radio / <i>Elect. Wi-Fi</i> MSF451041479	20Nm - 17rpm	Art. M-SMOOVE	Art. M-TELIS1-TT	Art. M-TELIS4-TT	Art. M-TELIS16

TENDE A RULLO

TENS ROLL- TN152

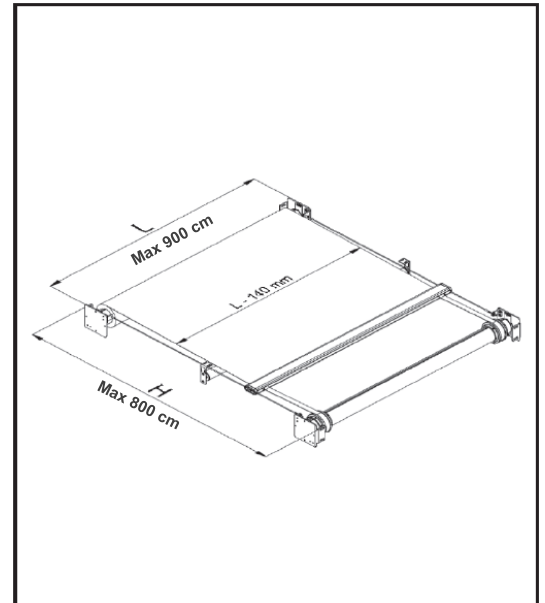
Sistema tensionato per tende a rullo azionamento con doppio motore

Tensioned system for roller blinds with double motor

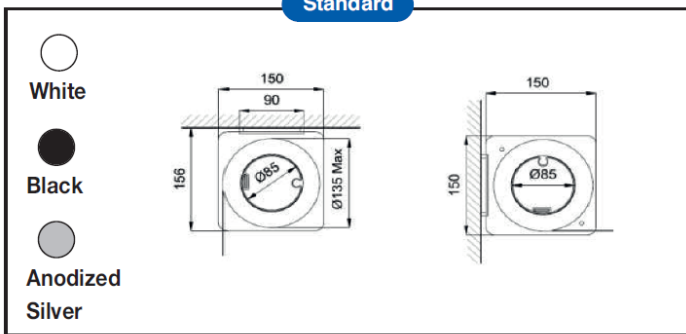
Système tensionné à double moteur pour stores enrouleurs

Spannsystem für Doppel-Motor Rollo

Sistema en tensión para estor enrollable accionado mediante doble motor

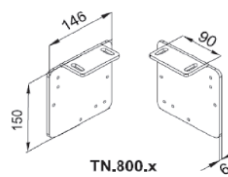


Standard



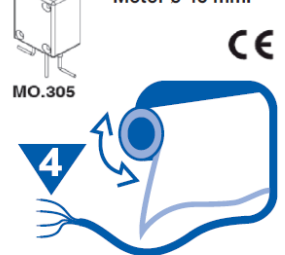
Standard

Fissaggio a soffitto / parete
Wall fixing / Ceiling fixing

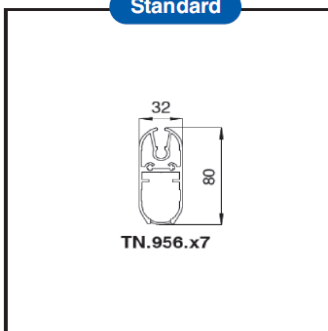


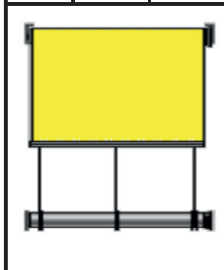
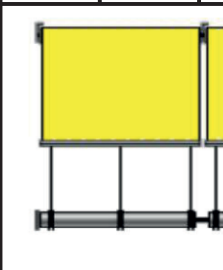
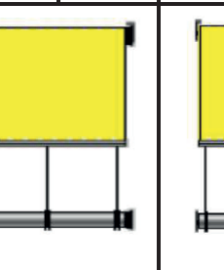
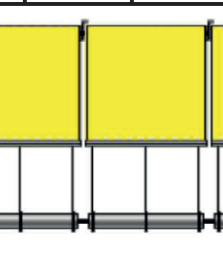
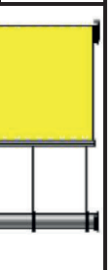
Standard

Motor ø 45 mm.



Standard



Cm.	200	300	350	400	500	600	650	700	800	900
										

Standard / Optional

Questa tenda monta un doppio motore elettronico Somfy da 50mm, 25Nm/17rpm, ed è l'UNICO motore disponibile per questo modello.

This blinds mounts a double electronic 50mm Somfy motor, 25Nm/17rpm. It is the only motor suitable for this blind.



CASA INTELLIGENTE con automatismi SOMFY preventivi a progetto

Smart Home with SOMFY devices - project-based quotations



MOTORI TRADIZIONALI 230 Vac / 230Vca traditional motors

TIPOLOGIA TYPE	CARATTERISTICHE FEATURES	INTERRUTTORE A PARETE WALL SWITCH	TELECOMANDO 1 TENDE* 1 CHANNEL TRANSMITTER	RICEVITORE RTS RTS RECEIVER	SCATOLA MONT.MO310RTS BOX FOR MO310RTS
Electronico / Electronic MO.350.25	25Nm - 17rpm Standard / Included	-	MSF1810630	MO.310.RTS	MO.315

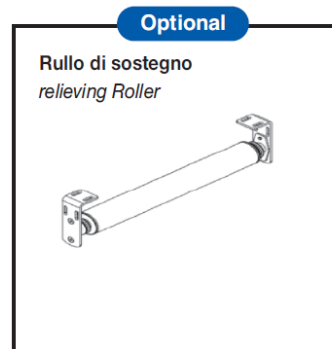
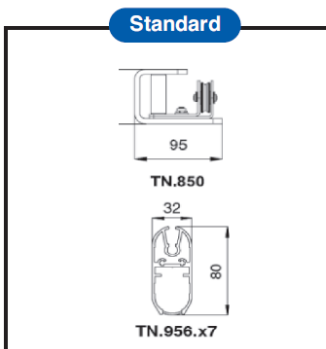
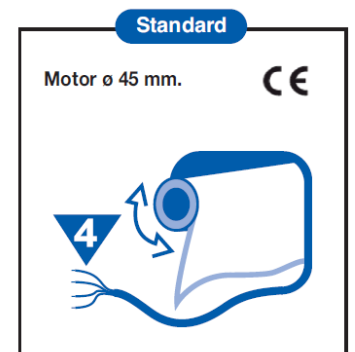
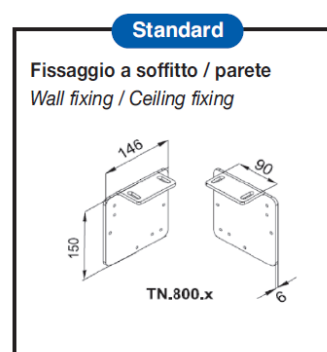
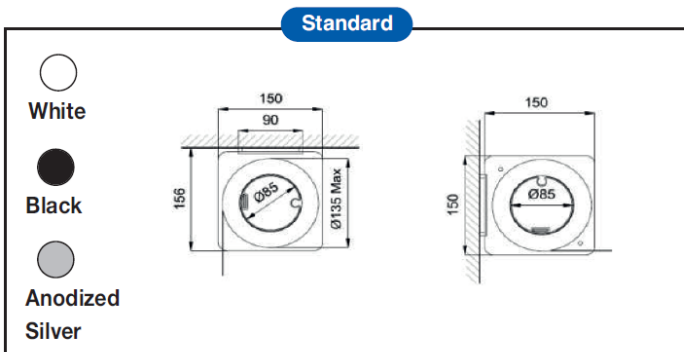
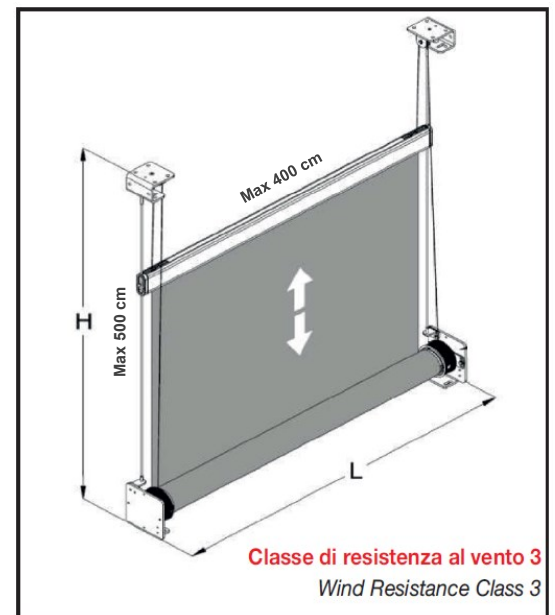
* Solo con ricevitore RTS MO.310.RTS / Only whit RTS receiver MO.310.RTS

TENDE A RULLO




TENS ROLL- TB150

Sistema tensionato per tende a rullo azionamento a motore dal basso verso l'alto

Tensioned system for motorized roller blinds – bottom-up opening
Système tensionné pour stores enrouleurs motorisés – ouverture de bas vers l'haute
Spannsystem für motorisierte Rollos – von unten nach oben Öffnung
Sistema en tensión para estor enrollable accionado mediante motor ascendente





Standard / Optional

MOTORI TRADIZIONALI 230 Vac / 230Vca traditional motors			
TIPOLOGIA TYPE	CARATTERISTICHE FEATURES	INTERRUTTORE A PARETE WALL SWITCH	
 Meccanico / <i>Mechanic</i> MASA452245212	30Nm - 16rpm Standard / <i>Included</i>	Art. M-9776-TT	
 Meccanico / <i>Mechanic</i> MSF451043038	25Nm - 17rpm	Art. M-9776-TT	
 Elettronico / <i>Electronic</i> MASA452245396	30Nm - 16rpm	Art. M-9776-TT	




CASA INTELLIGENTE con automatismi SOMFY preventivi a progetto
Smart Home with SOMFY devices – project-based quotations

MOTORI RADIO 230 Vac / 230Vca radio motors						
TIPOLOGIA TYPE	CARATTERISTICHE FEATURES	COMANDO A PARETE WALL TRANSMITTER	TELECOMANDO 1 TENDA 1 CHANNEL TRANSMITTER	TELECOMANDO 4 TENDE 4 CHANNELS TRANSMITTER	TELECOMANDO 16 TENDE 16 CHANNELS TRANSMITTER	
 Elett.Radio / <i>Elect.Wi-Fi</i> MASA452243254	20Nm - 16rpm	MASA2211126	MASA2211118	MASA2211119		
 Elett.Radio / <i>Elect.Wi-Fi</i> MSF451041479	20Nm - 17rpm	Art. M-SMOOVE	Art. M-TELIS1-TT	Art. M-TELIS4-TT	Art. M-TELIS16	

TENDE A RULLO

TENS ROLL- TB152

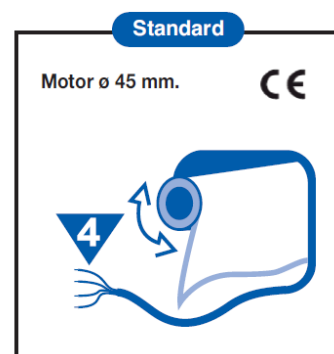
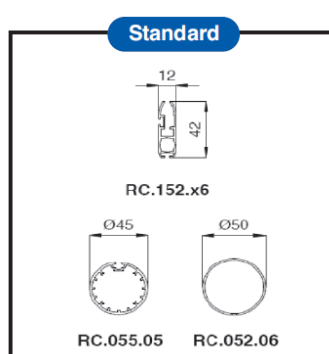
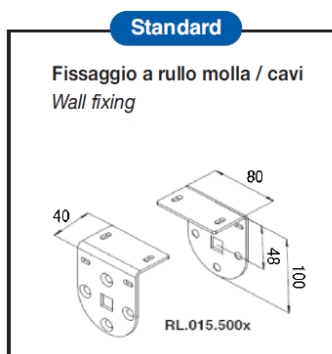
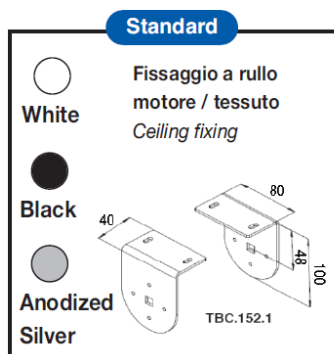
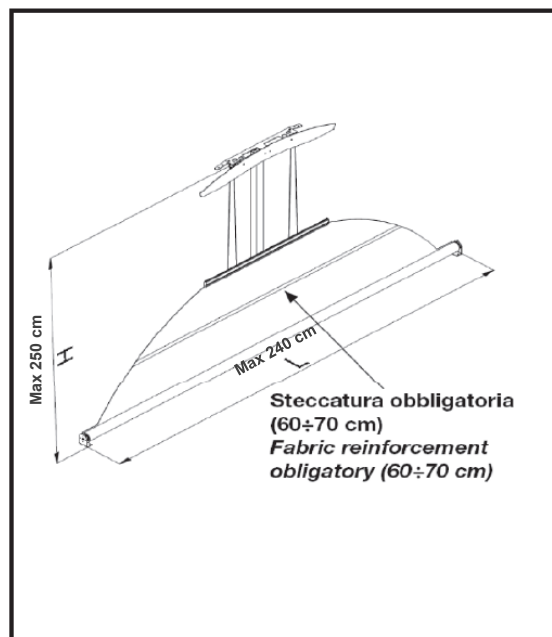
Sistema tensionato per tende a rullo arcate azionamento a motore

Tensioned system for motorized bow-shaped roller blinds




Système tensionné pour stores enrouleurs motorisés cintrés

Spannsystem für gebogene motorisierte Rollos

Sistema en tensión para estor enrollable curvado accionado mediante motor





Standard / Optional

MOTORI TRADIZIONALI 230 Vac / 230Vca traditional motors			
TIPOLOGIA TYPE	CARATTERISTICHE FEATURES	INTERRUTTORE A PARETE WALL SWITCH	
 Meccanico / <i>Mechanic</i> MASA452245212	30Nm - 16rpm Standard / <i>Included</i>	Art. M-9776-TT	
 Meccanico / <i>Mechanic</i> MSF451043038	25Nm - 17rpm	Art. M-9776-TT	
 Elettronico / <i>Electronic</i> MASA452245396	30Nm - 16rpm	Art. M-9776-TT	




CASA INTELLIGENTE con automatismi SOMFY preventivi a progetto
Smart Home with SOMFY devices
- project-based quotations

MOTORI RADIO 230 Vac / 230Vca radio motors						
TIPOLOGIA TYPE	CARATTERISTICHE FEATURES	COMANDO A PARETE WALL TRANSMITTER	TELECOMANDO 1 TENDA 1 CHANNEL TRANSMITTER	TELECOMANDO 4 TENDE 4 CHANNELS TRANSMITTER	TELECOMANDO 16 TENDE 16 CHANNELS TRANSMITTER	
 Elett.Radio / <i>Elect.Wi-Fi</i> MASA452243254	20Nm - 16rpm	MASA2211126	MASA2211118	MASA2211119		
 Elett.Radio / <i>Elect.Wi-Fi</i> MSF451041479	20Nm - 17rpm	Art. M-SMOOVE	Art. M-TELIS1-TT	Art. M-TELIS4-TT		Art. M-TELIS16