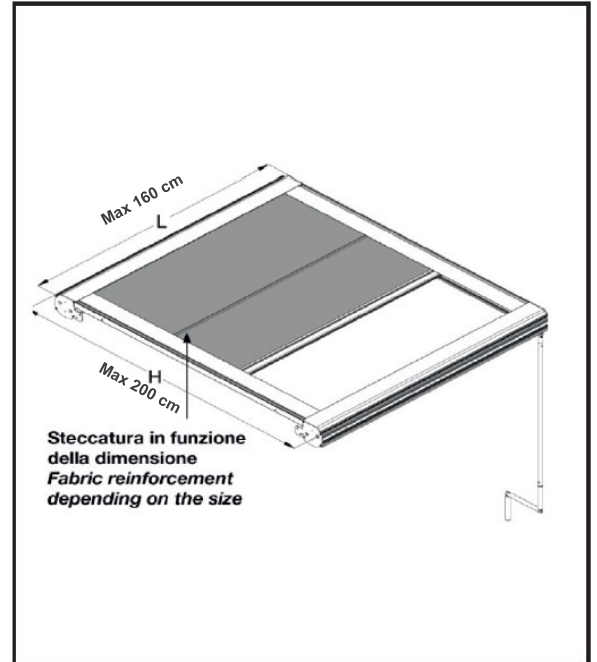



**TENDE A RULLO**

**Sistema per lucernari a rullo con cassonetto 85 e guide laterali azionamento ad arganello**

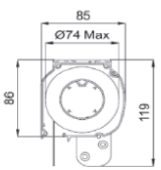
Winch-operated roller blind system for Skylight with 85mm cassette and side-guides  
 Système enrouleur à cabestan pour lucarnes avec cassette 85mm et coulisSES  
 Dachfenster-Rollo mit Windenantrieb, mit 85mm Kasette und Führungen  
 Sistema estor enrollable para tragaluz accionado mediante manivela con cajón de 85mm y guías laterales



**Standard**

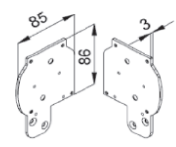


White  
Black  
Anodized Silver



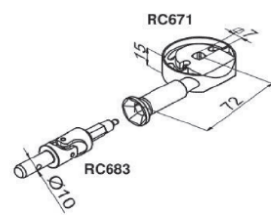
**Standard**

Fissaggio laterale  
Side fixing




RS.083

**Standard**

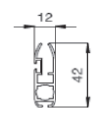


RC671  
RC683  
Ø10

**Standard**

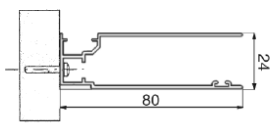


RL.005.06



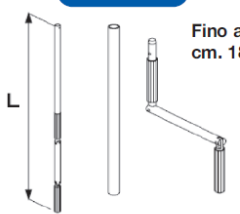
RC.152.x6

**Standard**



RC.138

**Standard**



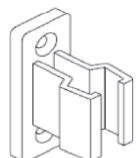
Fino a cm. 180

Oltre cm. 180

AD.945

**Optional**

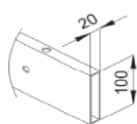
Fermo a parete per asta  
Wall-mounted holder for control bar



AD.942

**Optional**

Telaio 100x20 mm  
Frame 100x20 mm

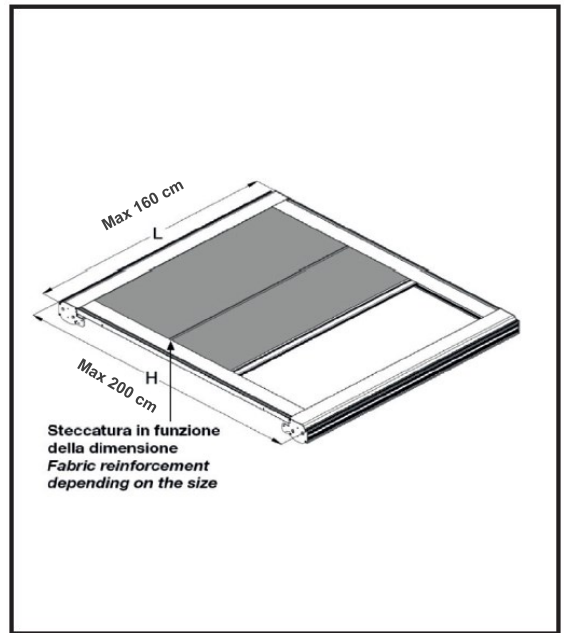


RS.400

**TENDE A RULLO**

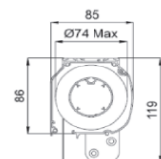
**Sistema per lucernari a rullo con cassonetto 85 e guide laterali azionamento a motore**

Motorized roller blind system for Skylight with 85mm cassette and side-guides  
 Système enrouleur motorisé pour lucarnes avec cassette 85mm et coulisses  
 Motorisiert Dachfenster-Rollo, mit 85mm Kassette und Führungen  
 Sistema estor enrollable para tragaluz accionado mediante motor con cajón de 85mm y guías laterales



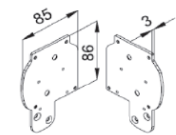
**Standard**

White  
Black  
Anodized Silver




**Standard**


Fissaggio laterale  
Side fixing




RS.083

**Standard**

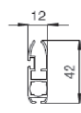
Motor ø 45 mm. 



**Standard**

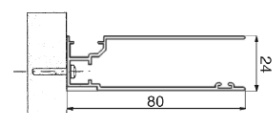


RC.052.06



RC.152.x6

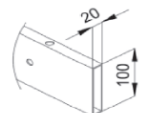
**Standard**



RC.138





**Optional**

Telaio 100x20 mm  
Frame 100x20 mm






RS.400

**Standard / Optional**

<b>MOTORI TRADIZIONALI 230 Vac / 230Vca traditional motors</b>			
	TIPOLOGIA TYPE	CARATTERISTICHE FEATURES	INTERRUTTORE A PARETE WALL SWITCH
	Meccanico / <i>Mechanic</i> MASA452241203	10Nm - 16rpm Standard / <i>Included</i>	Art. M-9776-TT
	Meccanico / <i>Mechanic</i> MSF451037062	10Nm - 17rpm	Art. M-9776-TT
	Elettronico / <i>Electronic</i> MASA452241406	10Nm - 16rpm	Art. M-9776-TT



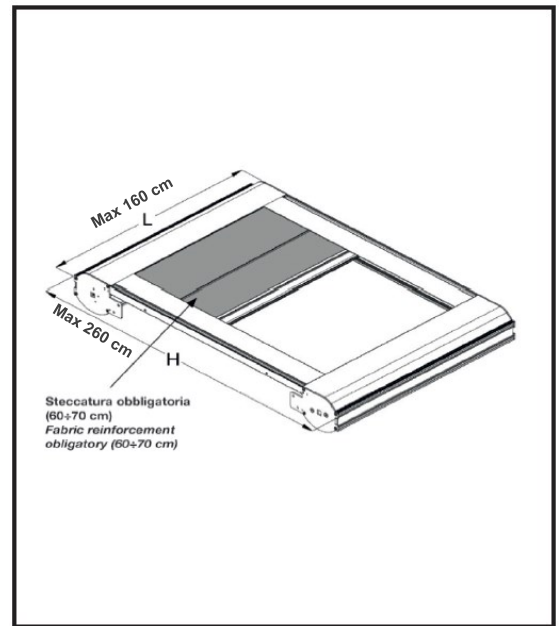

CASA INTELLIGENTE con automatismi SOMFY preventivi a progetto  
 Smart Home with SOMFY devices - project-based quotations

<b>MOTORI RADIO 230 Vac / 230Vca radio motors</b>						
	TIPOLOGIA TYPE	CARATTERISTICHE FEATURES	COMANDO A PARETE WALL TRANSMITTER	TELECOMANDO 1 TENDA 1 CHANNEL TRANSMITTER	TELECOMANDO 4 TENDE 4 CHANNELS TRANSMITTER	TELECOMANDO 16 TENDE 16 CHANNELS TRANSMITTER
	Elett.Radio / <i>Elect.Wi-Fi</i> MASA452241241	10Nm - 16rpm	MASA2211126	MASA2211118	MASA2211119	-
	Elett.Radio / <i>Elect.Wi-Fi</i> MSF451037504	10Nm - 17rpm	Art. M-SMOOVE	Art. M-TELIS1-TT	Art. M-TELIS4-TT	Art. M-TELIS16

**TENDE A RULLO**

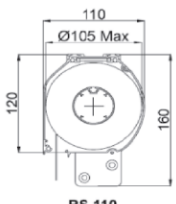
**Sistema per lucernari a rullo con cassonetto 110 e guide laterali azionamento a motore**

Motorized roller blind system for Skylight with 110mm cassette and side-guides  
 Système enrouleur motorisé pour lucarnes avec cassette 110mm et coulisseres  
 Motorisiert Dachfenster-Rollo, mit 110mm Kassette und Führungen  
 Sistema estor enrollable para tragaluz accionado mediante motor con cajón de 110mm y guías laterales



**Standard**

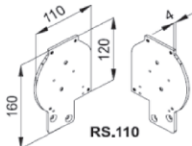
White  
Black  
Anodized Silver



RS.110


**Standard**


Fissaggio a parete  
Wall fixing




RS.110

**Standard**

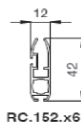
Motor ø 45 mm. 



**Standard**

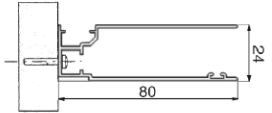


RC.052.06



RC.152.x6

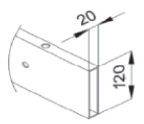
**Standard**



RC.138





**Optional**

Telaio 120x20 mm  
Frame 120x20 mm






RS.400

**Standard / Optional**

<b>MOTORI TRADIZIONALI 230 Vac / 230Vca traditional motors</b>			
	TIPOLOGIA TYPE	CARATTERISTICHE FEATURES	INTERRUTTORE A PARETE WALL SWITCH
	Meccanico / <i>Mechanic</i> MASA452241203	10Nm - 16rpm Standard / <i>Included</i>	Art. M-9776-TT
	Meccanico / <i>Mechanic</i> MSF451037062	10Nm - 17rpm	Art. M-9776-TT
	Elettronico / <i>Electronic</i> MASA452241406	10Nm - 16rpm	Art. M-9776-TT



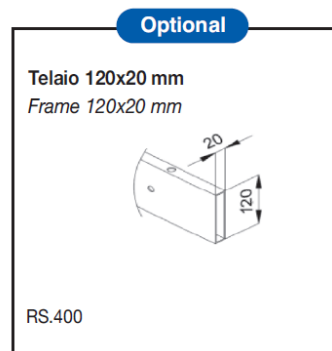
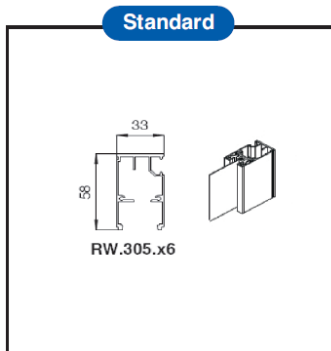
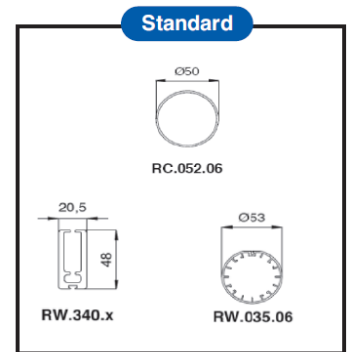
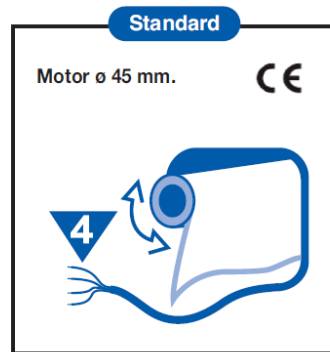
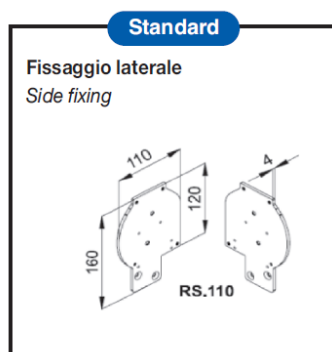
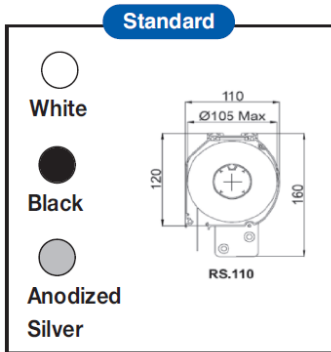
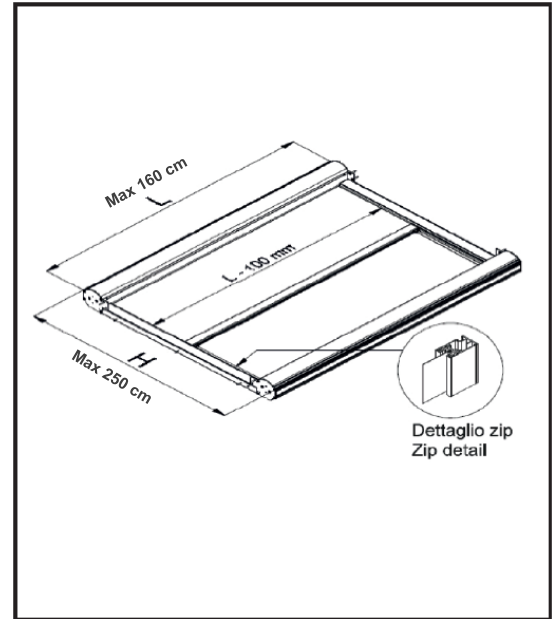

CASA INTELLIGENTE con automatismi SOMFY preventivi a progetto  
 Smart Home with SOMFY devices - project-based quotations

<b>MOTORI RADIO 230 Vac / 230Vca radio motors</b>						
	TIPOLOGIA TYPE	CARATTERISTICHE FEATURES	COMANDO A PARETE WALL TRANSMITTER	TELECOMANDO 1 TENDA 1 CHANNEL TRANSMITTER	TELECOMANDO 4 TENDE 4 CHANNELS TRANSMITTER	TELECOMANDO 16 TENDE 16 CHANNELS TRANSMITTER
	Elett.Radio / <i>Elect. Wi-Fi</i> MASA452241241	10Nm - 16rpm	MASA2211126	MASA2211118	MASA2211119	-
	Elett.Radio / <i>Elect. Wi-Fi</i> MSF451037504	10Nm - 17rpm	Art. M-SMOOVE	Art. M-TELIS1-TT	Art. M-TELIS4-TT	Art. M-TELIS16





**TENDE A RULLO**

**Sistema per lucernari a rullo con cassonetto 110 e guide laterali Zip azionamento a motore**

Motorized roller blind system for Skylight with 110mm cassette and ZIP side-guides  
 Système enrouleur motorisé pour lucarnes avec cassette 110mm et coulisSES ZIP  
 Motorisiert Dachfenster-Rollo, mit 110mm Kassette und ZIP-Führungen  
 Sistema estor enrollable para tragaluz accionado mediante motor con cajón de 110mm y guías laterales ZIP






**Standard / Optional**

<b>MOTORI TRADIZIONALI 230 Vac / 230Vca traditional motors</b>			
	TIPOLOGIA TYPE	CARATTERISTICHE FEATURES	INTERRUTTORE A PARETE WALL SWITCH
	Meccanico / <i>Mechanic</i> MASA452241203	10Nm - 16rpm Standard / <i>Included</i>	Art. M-9776-TT
	Meccanico / <i>Mechanic</i> MSF451037062	10Nm - 17rpm	Art. M-9776-TT
	Elettronico / <i>Electronic</i> MASA452241406	10Nm - 16rpm	Art. M-9776-TT



CASA INTELLIGENTE con automatismi SOMFY preventivi a progetto  
 Smart Home with SOMFY devices - project-based quotations

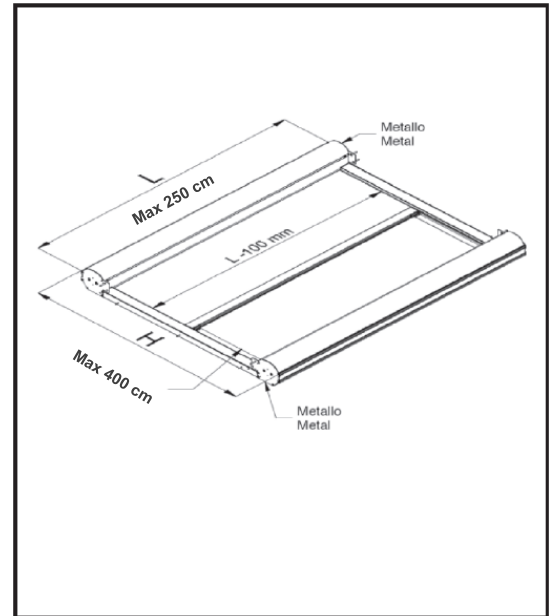


<b>MOTORI RADIO 230 Vac / 230Vca radio motors</b>						
	TIPOLOGIA TYPE	CARATTERISTICHE FEATURES	COMANDO A PARETE WALL TRANSMITTER	TELECOMANDO 1 TENDA 1 CHANNEL TRANSMITTER	TELECOMANDO 4 TENDE 4 CHANNELS TRANSMITTER	TELECOMANDO 16 TENDE 16 CHANNELS TRANSMITTER
	Elett.Radio / <i>Elect.Wi-Fi</i> MASA452241241	10Nm - 16rpm	MASA2211126	MASA2211118	MASA2211119	-
	Elett.Radio / <i>Elect.Wi-Fi</i> MSF451037504	10Nm - 17rpm	Art. M-SMOOVE	Art. M-TELIS1-TT	Art. M-TELIS4-TT	Art. M-TELIS16

**TENDE A RULLO**

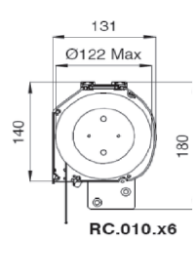
**Sistema per lucernari a rullo con cassonetto 130 e guide laterali Zip azionamento con doppio motore**

Double-motor roller blind system for Skylight with 130mm cassette and ZIP side-guides  
 Système enrouleur à double moteur pour lucarnes avec cassette 130mm et coulisses ZIP  
 Dachfenster-Rollo, mit Doppel-Motor, 130mm Kassette und ZIP-Führungen  
 Sistema estor enrollable para tragaluz accionado mediante doble motor con cajón de 130mm y guías laterales ZIP



**Standard**

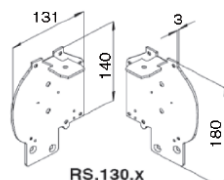
White  
Black  
Anodized  
Silver



RC.010.x6

**Standard**

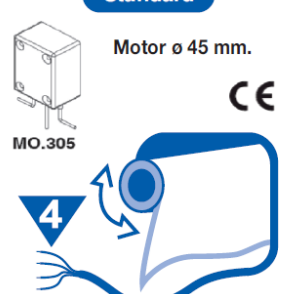
Fissaggio laterale  
Side fixing



RS.130.x

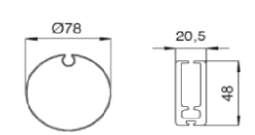
**Standard**

Motor ø 45 mm.



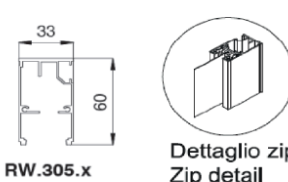
MO.305

**Standard**



RC.054.06 RW.340.x

**Standard**

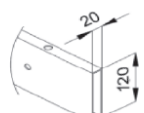


RW.305.x

Dettaglio zip  
Zip detail

**Optional**

Telaio 120x20 mm  
Frame 120x20 mm




RS.400

**Standard / Optional**

Questa tenda monta un doppio motore elettronico Somfy da 50mm, 25Nm/17rpm, ed è l'UNICO motore disponibile per questo modello.  
 This blinds mounts a double electronic 50mm Somfy motor, 25Nm/17rpm. It is the only motor suitable for this blind.



CASA INTELLIGENTE con automatismi SOMFY preventivi a progetto  
 Smart Home with SOMFY devices  
 - project-based quotations

MOTORI TRADIZIONALI 230 Vac / 230Vca traditional motors					
TIPOLOGIA TYPE	CARATTERISTICHE FEATURES	INTERRUTTORE A PARETE WALL SWITCH	TELECOMANDO 1 TENDA* 1 CHANNEL TRANSMITTER	RICEVITORE RTS RTS RECEIVER	SCATOLA MONT.MO310RTS BOX FOR MO310RTS
 Elettronico / Electronic MO.350.25	25Nm - 17rpm Standard / Included	-	MSF1810630	MO.310.RTS	MO.315

\* Solo con ricevitore RTS MO.310.RTS / Only whit RTS receiver MO.310.RTS