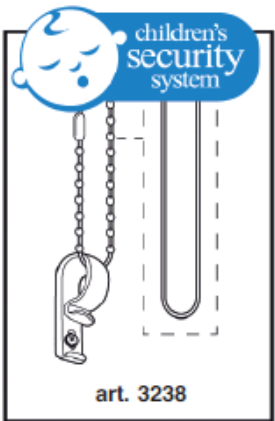
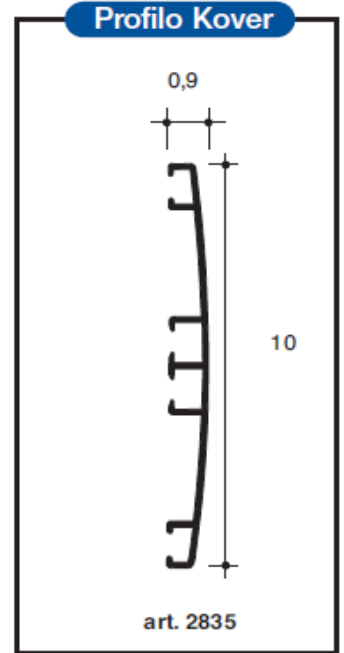
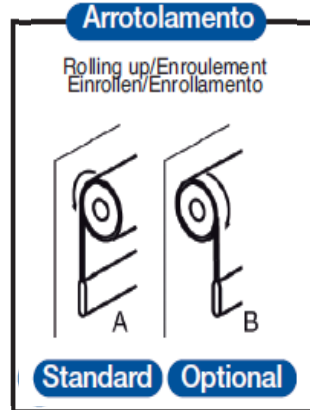
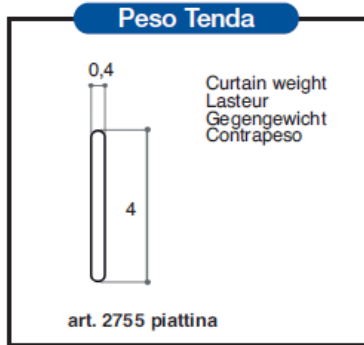
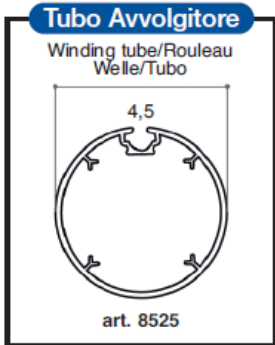


**KORNER**

Sistema a rullo decorativo applicazione Soffitto / Parete



**Schemi di ingombro e montaggio (misure espresse in cm)**

Patterns of size and mounting / Les modèles de taille et de montage /  
Muster der Größe und Montage / Esquemas de tamaño y de montaje

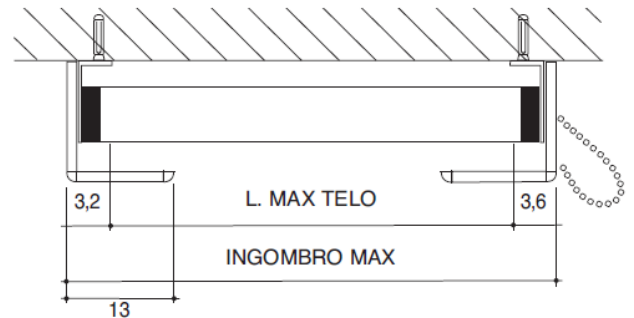
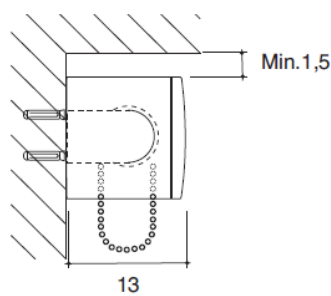
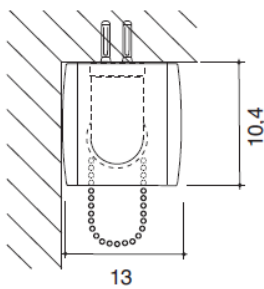
**5211QBC**

**Soffitto**

Ceiling / Plafond / Decke / Techo

**Parete**

Wall / Mur / Wand / pared



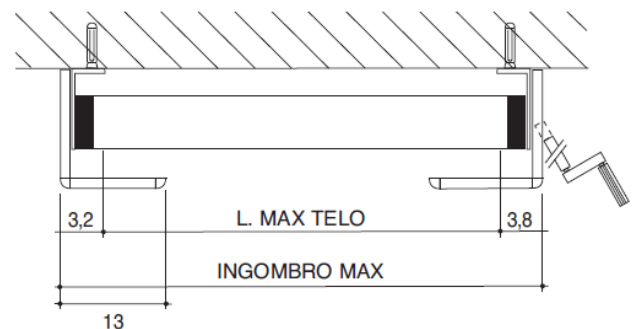
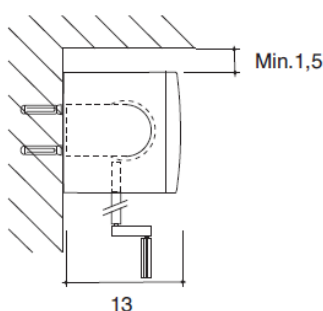
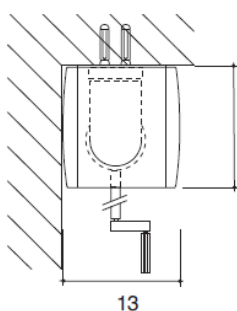
**5211QA**

**Soffitto**

Ceiling / Plafond / Decke / Techo

**Parete**

Wall / Mur / Wand / pared



## KORNER

### Schemi di ingombro e montaggio (misure espresse in cm)

Patterns of size and mounting / Les modèles de taille et de montage / Muster der Größe und Montage / Esquemas de tamaño y de montaje

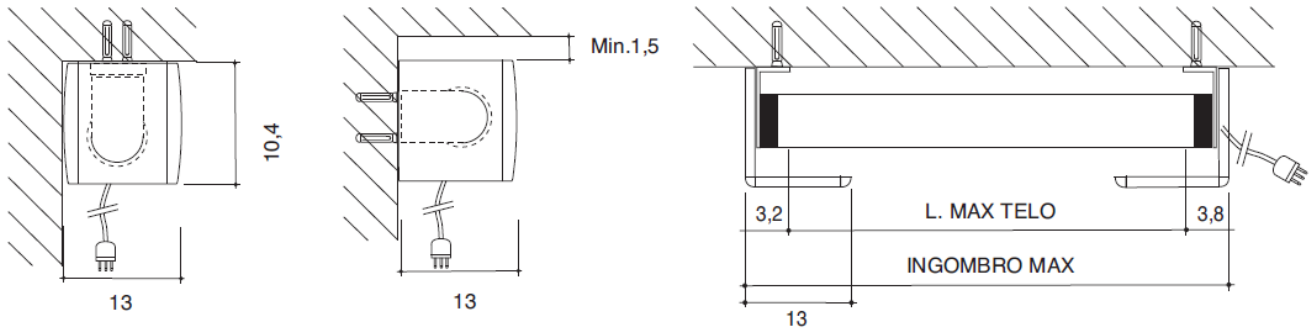
#### 5211QE

Soffitto

Ceiling / Plafond / Decke / Techo

Parete

Wall / Mur / Wand / pared



L max telo / Max fabric's width / L max de la toile / Max Stoffbreite / Ancho max del tejido - Ingombro max / Max overall width / Larg. Hors tout / Max Ausmaße / Max ancho total

### STANDARD / OPTIONAL 5211QE



#### MOTORI TRADIZIONALI 230 Vac / 230Vca traditional motors

	TIPOLOGIA TYPE	CARATTERISTICHE FEATURES	INTERRUTTORE A PARETE WALL SWITCH
<b>Tk MOTORS</b>	Meccanico / <i>Mechanic</i> Art. M-6	6Nm - 28rpm STANDARD	Art. M-9776-TT
<b>somfy.</b>	Meccanico / <i>Mechanic</i> Art. M-SONESSE 3	3Nm - 30rpm	Art. M-9776-TT



CASA INTELLIGENTE con automatismi SOMFY  
preventivi a progetto

Smart Home with SOMFY devices  
- project-based quotations



#### MOTORI RADIO 230 Vac / 230Vca radio motors

	TIPOLOGIA TYPE	CARATTERISTICHE FEATURES	COMANDO A PARETE WALL TRANSMITTER	TELECOMANDO 1 TENDA 1 CHANNEL TRANSMITTER	TELECOMANDO 4 TENDE 4 CHANNELS TRANSMITTER	TELECOMANDO 15-16 TENDE 15-16 CHANNELS TRANSMITTER
<b>Tk MOTORS</b>	Elett. Radio / <i>Elect. Wi-Fi</i> Art. M-R 6	6Nm - 28rpm	Art. M-TC1P-TT	Art. M-TC1-TT	-	Art. M-TC15-TT
<b>somfy.</b>	Elett. Radio / <i>Elect. Wi-Fi</i> Art. M-SONESSE 3 RTS	3Nm - 30rpm	Art. M-SMOOVE	Art. M-TELIS1-TT	Art. M-TELIS4-TT	Art. M-TELIS16



#### MOTORI RADIO a Batteria 12Vdc Portata max. Kg.3.5 / 24Vdc battery radio motors - max load 3.5Kg

	TIPOLOGIA TYPE	CARATTERISTICHE FEATURES	COMANDO A PARETE WALL TRANSMITTER	TELECOMANDO 1 TENDA 1 CHANNEL TRANSMITTER	TELECOMANDO 4 TENDE 4 CHANNELS TRANSMITTER	TELECOMANDO 16 TENDE 16 CHANNELS TRANSMITTER
<b>somfy.</b>	Elett. Radio / <i>Elect. Wi-Fi</i> Art. M-ROLL UPWI	1.1 Nm - 28rpm	Art. M-SMOOVE	Art. M-TELIS1-TT	Art. M-TELIS4-TT	Art. M-TELIS16