

TENDE A RULLO

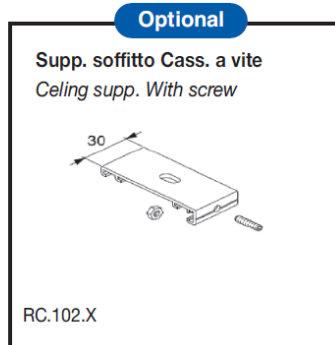
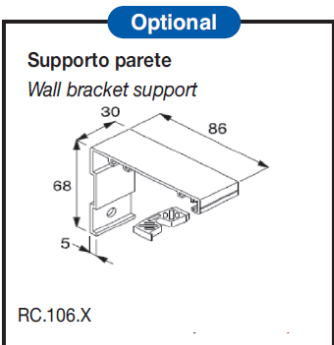
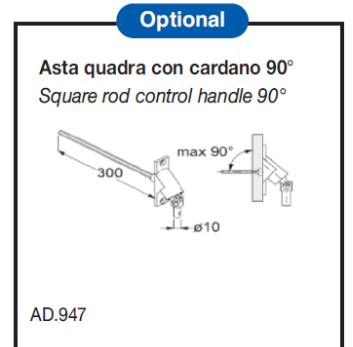
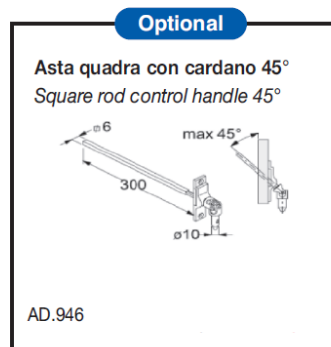
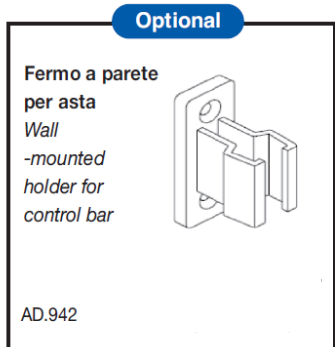
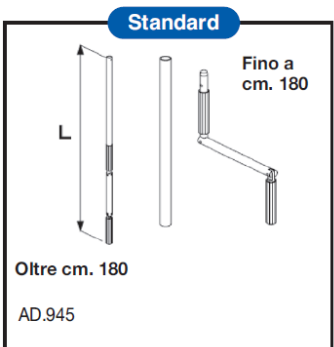
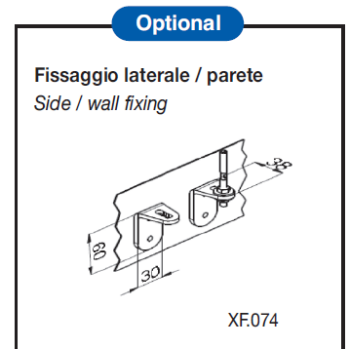
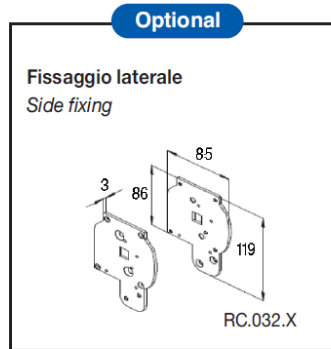
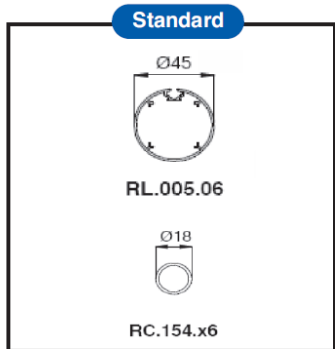
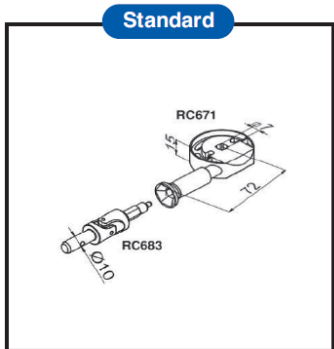
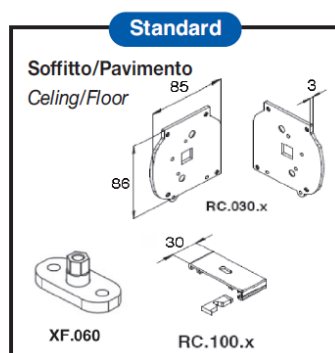
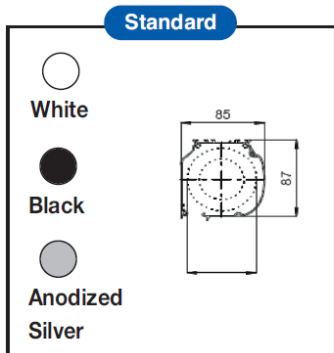
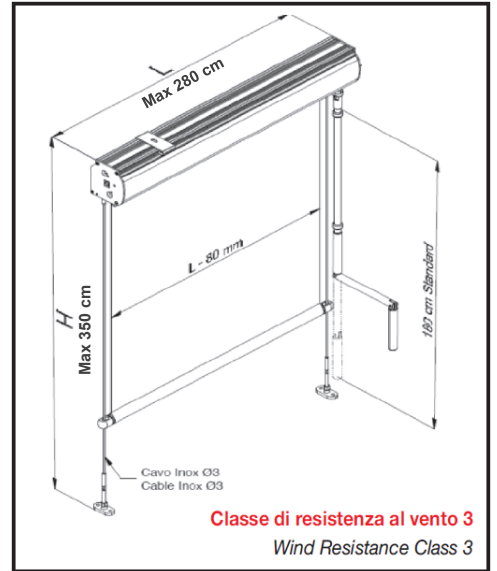
Sistema per tende a rullo con cassonetto 85 e cavi laterali inox azionamento ad arganello

Winch-operated system for roller blinds with 85mm cassette and stainless steel side cables

Système à cabestan pour stores enrouleurs avec cassette 85mm et câbles latéraux en acier inox

Windensystem für Rollo mit 85mm Kasette und Stahlkabel Führungen

Sistema estor enrollable accionado mediante manivela con cajón de 85mm y guías laterales en acero inox



TENDE A RULLO

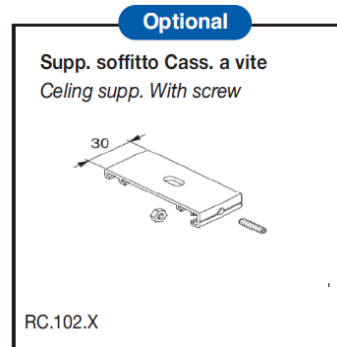
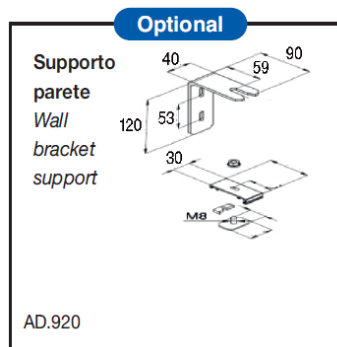
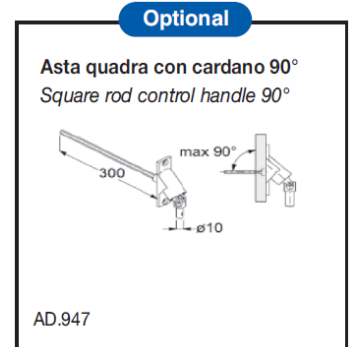
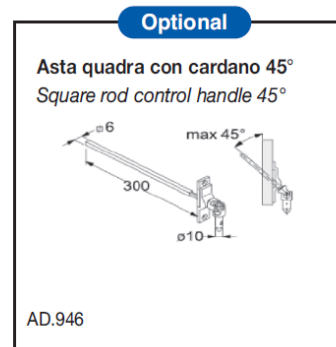
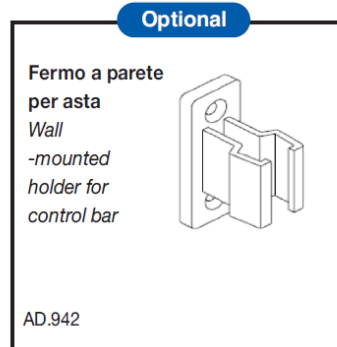
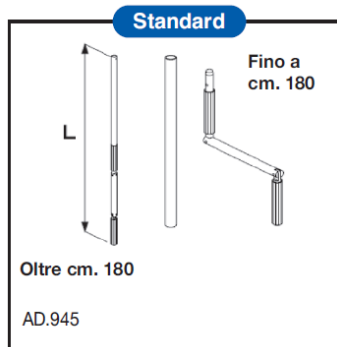
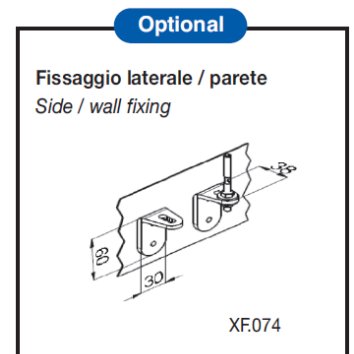
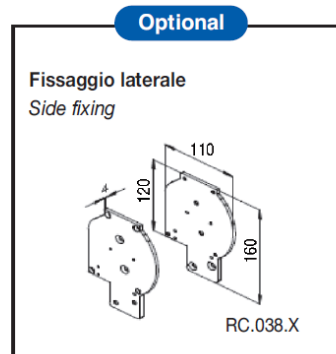
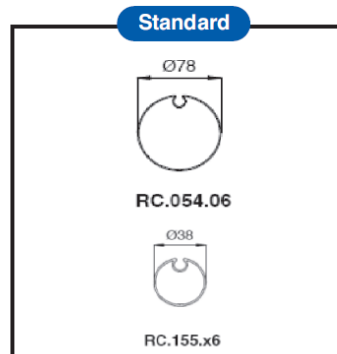
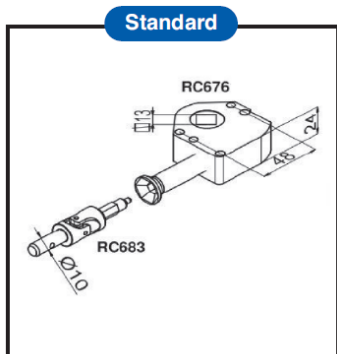
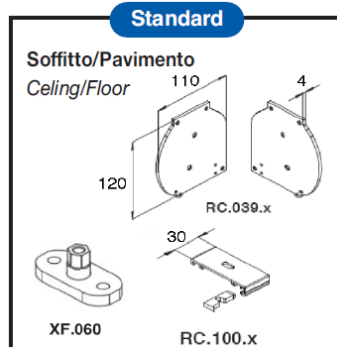
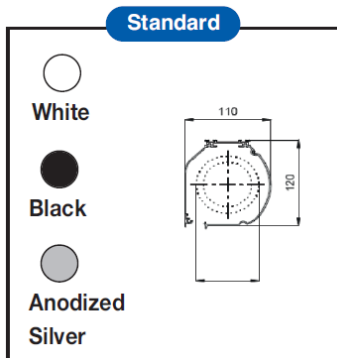
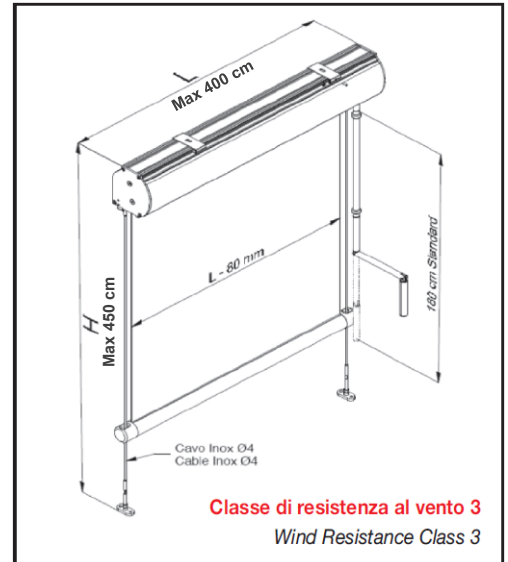
Sistema per tende a rullo con cassonetto 110 e cavi laterali inox azionamento ad arganello

Winch-operated system for roller blinds with 110mm cassette and stainless steel side cables

Système à cabestan pour stores enrouleurs avec cassette 110mm et cables latéraux en acier inox

Windensystem für Rollo mit 110mm Kassette und Stahlkabel Führungen

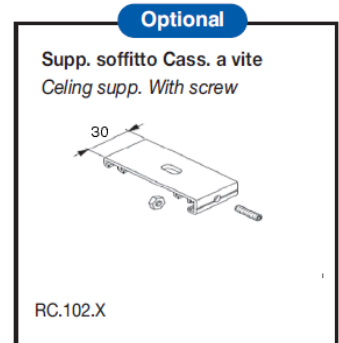
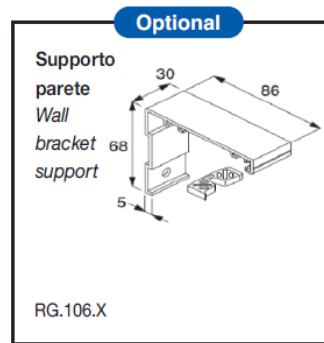
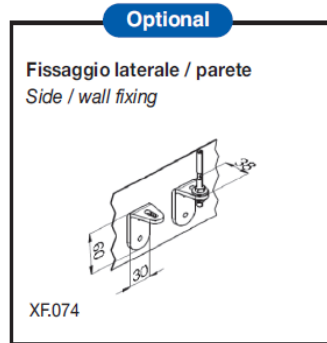
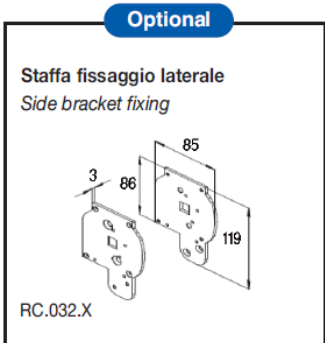
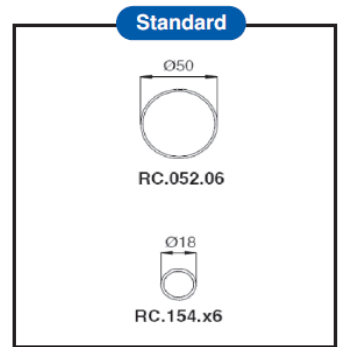
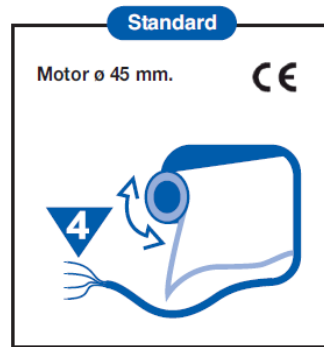
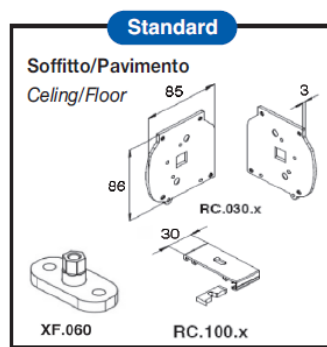
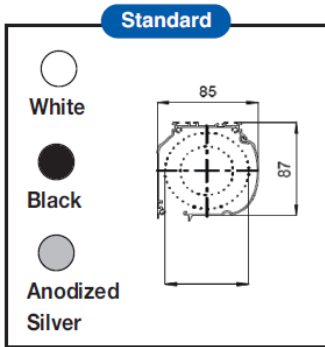
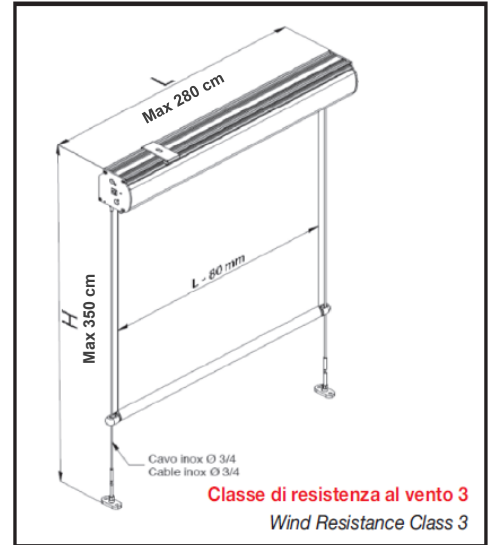
Sistema estor enrollable accionado mediante manivela con cajón de 110mm y guías laterales en acero inox







TENDE A RULLO

Sistema per tende a rullo con cassonetto 85 e cavi laterali inox azionamento a motore

Motorized system for roller blinds with 85mm cassette and stainless steel side cables
 Système motorisé pour stores enrouleurs avec cassette 85mm et cables latéraux en acier inox
 Motorisiert System für Rollos mit 85mm Kassette und Stahlkabel Führungen
 Sistema estor enrollable accionado mediante motor con cajón de 85mm y guías laterales en acero inox






Standard / Optional

	MOTORI TRADIZIONALI 230 Vac / 230Vca traditional motors		
TIPOLOGIA TYPE	CARATTERISTICHE FEATURES	INTERRUTTORE A PARETE WALL SWITCH	
 Meccanico / <i>Mechanic</i> MASA452241203	10Nm - 16rpm Standard / <i>Included</i>	Art. M-9776-TT	
 Meccanico / <i>Mechanic</i> MSF451037062	10Nm - 17rpm	Art. M-9776-TT	
 Elettronico / <i>Electronic</i> MASA452241406	10Nm - 16rpm	Art. M-9776-TT	



CASA INTELLIGENTE con automatismi SOMFY preventivi a progetto
 Smart Home with SOMFY devices - project-based quotations



	MOTORI RADIO 230 Vac / 230Vca radio motors					
TIPOLOGIA TYPE	CARATTERISTICHE FEATURES	COMANDO A PARETE WALL TRANSMITTER	TELECOMANDO 1 TENDA 1 CHANNEL TRANSMITTER	TELECOMANDO 4 TENDE 4 CHANNELS TRANSMITTER	TELECOMANDO 16 TENDE 16 CHANNELS TRANSMITTER	
 Elett.Radio / <i>Elect. Wi-Fi</i> MASA452241241	10Nm - 16rpm	MASA2211126	MASA2211118	MASA2211119		
 Elett.Radio / <i>Elect. Wi-Fi</i> MSF451037504	10Nm - 17rpm	Art. M-SMOOVE	Art. M-TELIS1-TT	Art. M-TELIS4-TT	Art. M-TELIS16	

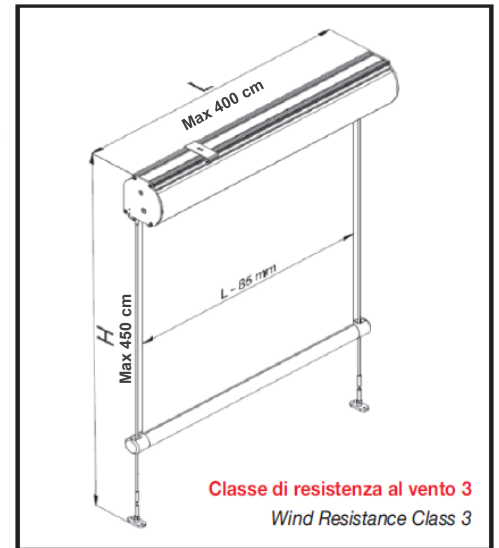
TENDE A RULLO

Sistema per tende a rullo con cassonetto 110 e cavi laterali inox azionamento a motore

Motorized system for roller blinds with 110mm cassette and stainless steel side cables
Système motorisé pour stores enrouleurs avec cassette 110mm et cables latéraux en acier inox

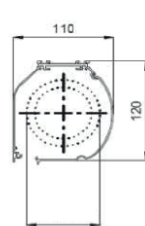
Motorisiert System für Rollo mit 110mm Kassette und Stahlkabel Führungen

Sistema estor enrollable accionado mediante motor con cajón de 110mm y guías laterales en acero inox



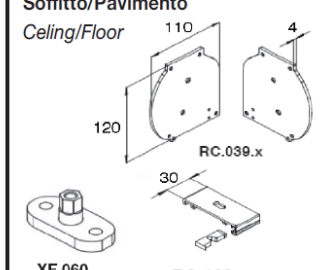
Standard

White
Black
Anodized Silver




Standard


Soffitto/Pavimento
Ceiling/Floor




RC.039.x
XF.060
RC.100.x

Standard

Motor ø 45 mm. 



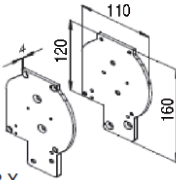
Standard



RC.054.06
RC.155.x6

Optional

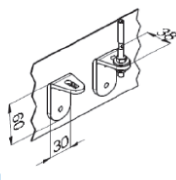
Staffa fissaggio laterale
Side bracket fixing



RC.038.X

Optional

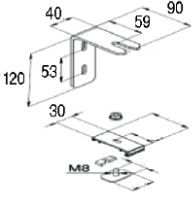
Fissaggio laterale / parete
Side / wall fixing



XF.074

Optional

Supporto parete
Wall bracket support

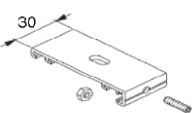


AD.920

€ S/IVA	€ C/IVA
+ 15,36	+ 18,34
cad. /pc.	cad. /pc.

Optional




Supp. soffitto Cass. a vite
Ceiling supp. With screw



RC.102.X



€ S/IVA	€ C/IVA
+ 1,5	+ 1,83
cad. /pc.	cad. /pc.

Standard / Optional

MOTORI TRADIZIONALI 230 Vac / 230Vca traditional motors			
TIPOLOGIA TYPE	CARATTERISTICHE FEATURES	INTERRUTTORE A PARETE WALL SWITCH	
 Meccanico / <i>Mechanic</i> MASA452241203	10Nm - 16rpm Standard / <i>Included</i>	Art. M-9776-TT	
 Meccanico / <i>Mechanic</i> MSF451037062	10Nm - 17rpm	Art. M-9776-TT	
 Elettronico / <i>Electronic</i> MASA452241406	10Nm - 16rpm	Art. M-9776-TT	




CASA INTELLIGENTE con automatismi SOMFY preventivi a progetto
Smart Home with SOMFY devices - project-based quotations

MOTORI RADIO 230 Vac / 230Vca radio motors						
TIPOLOGIA TYPE	CARATTERISTICHE FEATURES	COMANDO A PARETE WALL TRANSMITTER	TELECOMANDO 1 TENDE 1 CHANNEL TRANSMITTER	TELECOMANDO 4 TENDE 4 CHANNELS TRANSMITTER	TELECOMANDO 16 TENDE 16 CHANNELS TRANSMITTER	
 Elett.Radio / <i>Elect. Wi-Fi</i> MASA452241241	10Nm - 16rpm	MASA2211126	MASA2211118	MASA2211119		
 Elett.Radio / <i>Elect. Wi-Fi</i> MSF451037504	10Nm - 17rpm	Art. M-SMOOVE	Art. M-TELIS1-TT	Art. M-TELIS4-TT	Art. M-TELIS16	

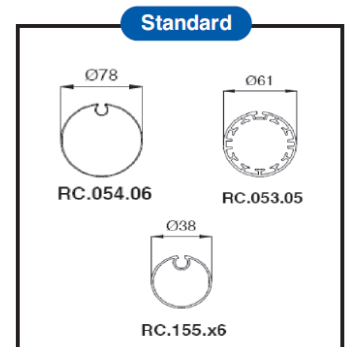
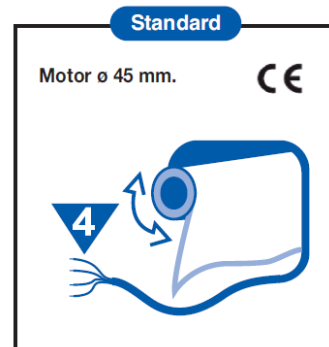
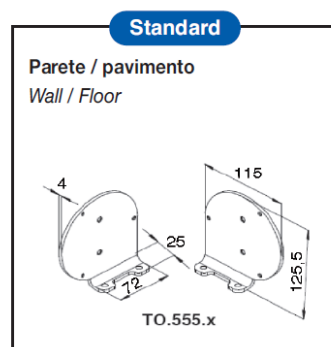
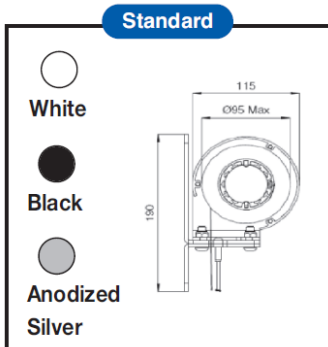
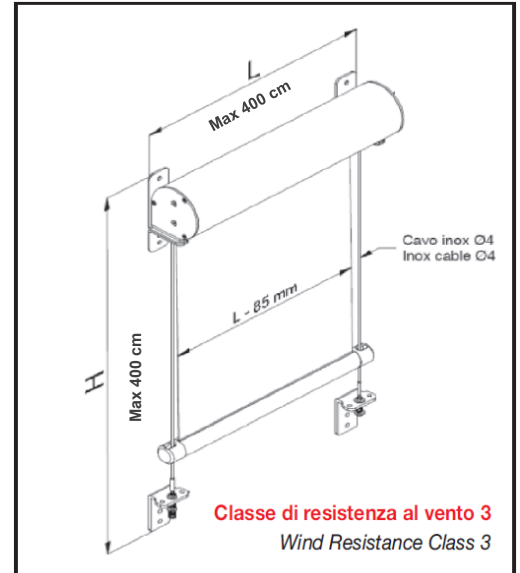
Sistema per tende a rullo con cassonetto 110 Tondo e cavi laterali inox azionamento a motore

Motorized system for roller blinds with 110mm round cassette and stainless steel side cables




Système motorisé pour stores enrouleurs avec cassette ronde 110mm et câbles latéraux en acier inox

Motorisiert System für Rollo mit abgerundeter Kasette und Stahlkabel Führungen

Sistema estor enrollable accionado mediante motor con cajón redondo de 110mm y guías laterales en acero inox





Standard / Optional

	MOTORI TRADIZIONALI 230 Vac / 230Vca traditional motors		
	TIPOLOGIA TYPE	CARATTERISTICHE FEATURES	INTERRUTTORE A PARETE WALL SWITCH
	Meccanico / <i>Mechanic</i> MASA452241203	10Nm - 16rpm Standard / <i>Included</i>	Art. M-9776-TT
	Meccanico / <i>Mechanic</i> MSF451037062	10Nm - 17rpm	Art. M-9776-TT
	Elettronico / <i>Electronic</i> MASA452241406	10Nm - 16rpm	Art. M-9776-TT




CASA INTELLIGENTE con automatismi SOMFY preventivi a progetto
Smart Home with SOMFY devices - project-based quotations

	MOTORI RADIO 230 Vac / 230Vca radio motors					
	TIPOLOGIA TYPE	CARATTERISTICHE FEATURES	COMANDO A PARETE WALL TRANSMITTER	TELECOMANDO 1 TENDA 1 CHANNEL TRANSMITTER	TELECOMANDO 4 TENDE 4 CHANNELS TRANSMITTER	TELECOMANDO 16 TENDE 16 CHANNELS TRANSMITTER
	Elett.Radio / <i>Elect. Wi-Fi</i> MASA452241241	10Nm - 16rpm	MASA2211126	MASA2211118	MASA2211119	-
	Elett.Radio / <i>Elect. Wi-Fi</i> MSF451037504	10Nm - 17rpm	Art. M-SMOOVE	Art. M-TELIS1-TT	Art. M-TELIS4-TT	Art. M-TELIS16